

COVID-19 RESTRICTED STATE CUP/ TROPHY
SUPPLEMENTARY REGULATIONS V1 (1 January 2021)

IMPORTANT NOTE

These Supplementary Regulations can only be used for Club Karting Competition at an Affiliated Karting Club in strict accordance with the requirements of all Federal and State Government COVID-19 Orders, Directions and Restrictions.



COVID-19 ACKNOWLEDGEMENT AND VOLUNTARY ACCEPTANCE OF RISK

By entering or participating in this Karting activity/event, all Essential Karting Personnel and Permitted Persons acknowledge that, even with rigorous capacity and control measures that Karting Australia requires the Organising Club to put in place at all Karting Australia sanctioned Karting activities/events, there remains an unquantifiable risk of transmission of viral illness including COVID-19 at a Karting activity/event at this time and you have considered that risk and your own personal circumstances, including any health condition or vulnerability that you may have or that of persons whom you will be in close contact with following your attendance at a Karting activity/event. You acknowledge that, for a small number of people, COVID-19 has very serious health consequences. By attending a Karting activity/event you (and any persons who attend the activity/event with you) acknowledge and accept these obvious risks.

PERMIT NUMBER: 17/2021

1. STANDARD REQUIREMENTS

1. MEETING TITLE:	King of the Hill Hurricane Go Kart Club		
2. DATE:	Start: Saturday, 20 August 2022 End: Saturday, 20 August 2022		
3. ORGANISATION:	The Meeting will be held under the International Sporting Code of the FIA, and the National Competition Rules of Karting Australia and the Western Australian State Regulations and in accordance with applicable Federal and State Government COVID-19 restrictions and requirements in force and effect at the date of the Activity.		
4. MEETING STATUS:	State Trophy		
5. ORGANISER: (This will normally be the Club or a Promoter)			
5.1.	Hurricane Go Kart Club		
5.2.	99 Burma Road, Wundowie		
5.3.	Tel:	0412 644 520	Email: hurricanegokartclub@gmail.com

6. ORGANISING COMMITTEE: Include the names of at least 2 people who make up the Organising Committee. Note: they must not be Stewards of the Meeting.	Anthony Pulitano Darin Yacopetti
OFFICIALS OF THE MEETING:	
7. ESSENTIAL OFFICIALS (Ref: General Rules Chapter 7 Rule 4 – “Essential Officials”)	
Stewards of the Meeting: (Minimum of 2 Stewards Required for every Meeting)	Jo Maisey (Chief Steward) Brett Styles Ron Pearce Karen Green Justin Mortimore
Clerk of the Course:	Troy Worboys
Chief Scrutineer:	Alan Waddingham
Chief Timekeeper:	Jo King
Emergency and Medical Services:	St John Ambulance
8. OTHER OFFICIALS	
Assistant Clerks Of The Course:	Amy Sears Gus Cuthbertson
Starter	Sheahan Gilday
Grid Marshal	HGKC Members
Scales Marshal	HGKC Members
Scrutineers	Peter Allan
Flag / Lights Marshal	HGKC Members
Bar Code Operator	HGKC Members
9. CIRCUIT DETAILS	
Circuit Name:	Hurricane Go Kart Club
Circuit Address:	99 Burma Road, WUNDOWIE WA 6560
Track Length:	753 Metres
Direction Of Racing:	Clockwise
Track Density:	32
Notice Board:	Back of the sea container
Stewards Office:	Located at the bottom of the tower
Mechanical Breakdown Lane:	Will Not be in use at this Meeting.
Parc Fermé:	Located adjacent to the grid

2. ADMINISTRATION

1.	The Club must maintain a register of all Essential Karting Personnel and Permitted Persons at the Circuit for the activity.		
2.	The number of entries in the Event is strictly limited by Government Directions/Orders. Pre-entry for the Event is essential. There will be NO ENTRIES ACCEPTED ON THE DAY.		
3.	The Classes, Age and Weight Divisions listed below are permitted to Compete at this Meeting. Class names as used in the 2022 Australian Karting Manual must be used.		
	COMPETITION CLASSES	DIVISION/WEIGHT	COMPETITION CLASSES
	Cadet 9	Single Division	TaG 125 Restricted
	Cadet 12	Single Division	TaG 125 Restricted
	KA4 Championship	Junior	WA Open Performance (State Regs)
	KA3	Junior	KZ2 (State Regs)
	KA3 Championship	Senior	TaG 125
	TaG 125	Senior Heavy	
	Note: Consolidation of Class Rules (Competition Rules - Chapter 1, Rule 9) may be applied.		
4.	ENTRIES		
4.1.	Entries Open:	29/07/2022	
4.2.	Pre-Entries Close:	9pm 17/08/2022 Note: A discount for lodging a Pre-Entry Will Not apply.	
5.	ENTRY FEE		
5.1.	The Entry Fee for each Class at this Meeting including GST and TDF Levy is as follows:		
	Competition Class Name	Entry Fee	
	All Classes	\$100	
	Second or Third Class Entered	\$70	
6.	ENTRY PROCEDURE		
6.1.	Each Entry for this Meeting may be made using the CMS as follows:		
	<ul style="list-style-type: none"> Log on to your driver information via http://www.karting.net.au/ Click on the licence and entries icon (top centre of the screen) Click on the "Enter a Race Meeting" icon Enter your log on details Select "Racing" icon and choose "Enter Race Meeting & View Entrants" Choose the State in which the Meeting is being held Choose the Club who is the Organiser of the Meeting Select the green "Pre-Enter" of the required Meeting to complete Entrant Details and finalise your Pre-Entry 		
6.2.	Payment of the Entry Fee can be made as follows:		

	Credit card Payments can be made via CMS using SecurePay ONLY
7.	MINIMUM ENTRIES
7.1.	8 is the minimum number of pre entries which must be received for each Class and/or Division.
7.2.	If insufficient entries are received for a Class and/or Division to form in its own right, the Compulsory Competition Classes will be Consolidated in accordance with Competition Rules - Chapter 1, Rule 9. Discretionary Competition Classes may be Consolidated in accordance with the Rules or cancelled at the discretion of the Organiser and in accordance with the Rules.
7.3.	If a Class or Division is cancelled, the Entry Fee may be refunded at the discretion of the Organiser and in accordance with the Rules.

3. SPECIFIC COVID-19 RESTRICTION AND MITIGATION REQUIREMENTS

COVIDSafe ACTION PLAN (When required at law) The Club has completed a COVIDSafe Action Plan and submitted it to the relevant State Government Department. All actions identified as being required to be done to create a COVIDSafe Event and Club facility must be carried out prior to and during the Event.	
1.	PERMITTED AND NON-PERMITTED PERSONS
1.1.	No person who has symptoms consistent with COVID-19 (this includes any fever, respiratory symptoms, shortness of breath, sore throat, cough, lack of smell or fatigue) is permitted to attend the Circuit or participate in the Event.
1.2.	Any person who starts to feel unwell or to exhibit symptoms of COVID-19 during the Event must immediately avoid contact with all persons at the Circuit and MUST IMMEDIATELY LEAVE the Circuit.
1.3.	All Personnel and Permitted Persons MUST comply with State Public Health Authority orders/Directions/Regulations that are in force at the time of the Event.
2.	SOCIAL DISTANCING AND DENSITY REQUIREMENTS
2.1.	The Organizers must ensure that the maximum number of people (the combined total of Essential Personnel, Permitted Persons and Spectators) permitted in total at an Activity and in groups in accordance with any State Public Health Authority Orders/Directions/Regulations is not exceeded at any time prior to or during the Activity.
2.2.	The use by Permitted Persons of any indoor facilities is strictly limited by the Density Quotient of the room as included in the Club's COVIDSafe Action Plan.
2.3.	Food service provided at the Event must fully comply with all State Public Health Authority Orders/Directions/Regulations. <ul style="list-style-type: none"> Hand Hygiene must be available at all food service outlets. Regular cleaning in accordance with the Club's COVIDSafe Action Plan MUST be carried out throughout the Event.
3.	HYGIENE FACILITIES - TOILET/WASHROOM FACILITIES and HAND SANITISER
3.1	The Club is required to provide facilities to ensure general and sensible hygiene practices are maintained.
3.2	Toilet and washroom facilities at the Circuit must be open and available for use.
3.3	Washroom facilities must be properly equipped with liquid soap, running water and either air hand driers or paper towels. <ul style="list-style-type: none"> The toilets and washroom facilities must be cleaned at least once during the day or as otherwise required in accordance with the Club's COVIDSafe Action Plan
3.4	It is strongly recommended that Essential Karting Personnel and Permitted Persons bring their own supply of hand sanitiser for use in accordance with government recommendations in addition to hand sanitiser that is supplied by the Club.

4. COMPETITION

1.	FORMAT OF RACING			
2.	Practice	There will be no practice held on race day. Refer to HGKC Facebook page for practice sessions leading up to the event.		
3.	Qualifying	There will be Timed Qualifying at this Event. There will be one (1) standalone Qualifying session of 6 minutes		
		The order of Karts on the grid for the commencement of Qualifying will be determined by order of entries received into CMS.		
4.	Heat & Final	The system of gridding will be in accordance with State Regulations - Cup Competition Format 3. Heat 1 – Results of Qualifying, fastest to the front Heat 2 – Results from Qualifying, fastest to the front Heat 3 – Points from Finishing positions of Heat 1 and 2, highest to the front Final – Finishing position of Heat 3 289 Point System. Final Only Counts (KZ – 0 point system as per state regs)		
5.	DISTANCES (Laps)			
	Heat 1	10	Heat 2	10
	Heat 3	10	Final	15
	DISTANCES (Laps) KZ – As per State Regulations			
	Heat 1	15	Heat 2	15
	Heat 3	15	Final	25
6.	ACCESS TO CIRCUIT			
6.1.	Competitors will be permitted to enter the Circuit from 12pm on 19/08/2022 for pit area set up.			
7.	DRIVERS BRIEFING			
7.1	Drivers Briefing notes will be advised in an electronic format to all Competitors. Any questions should be directed to the Chief Steward prior to the start of Competition.			
8.	SCRUTINEERING			
8.1	All Competitors will be required to complete an electronic Scrutineering Form https://kartingaustralia.wufoo.com/forms/ka-scrutineering-record-hurricane/			
8.2	This form will be submitted to the Race Secretary in an electronic format.			
9.	FUEL			
9.1.	PULP is the only fuel permitted to be used at this Meeting.			
9.2.	Control Fuel Will Not be used at this Meeting.			
10.	TIMETABLE			
9.1	Friday 19/08/2022			
	12pm	Gates open for pit set up		
	5pm	Canteen opens		
	6pm to 8pm	Driver Sign in (Driver Bag Collection, Contact Number and Transponder Check) This is compulsory – participants must collect their own bag.		

9.2	Saturday 20/08/2022	
	Time	Activity
a)	6.30am	Gates Open
b)	7am	Canteen Opens
c)	7am – 7.30am	Driver Sign in (Driver Bag Collection, Contact Number and Transponder Check) This is compulsory – participants must collect their own bag.
d)	7.15am	Officials Brief
e)	7.30am	Safety Brief
f)	8am	Qualifying
g)	10am approx	Heat 1 Commences
h)	Minimum 30 minutes after completion of racing.	Presentations
11.	<p>NOTICE BOARD ENTRY CONFIRMATION AT THE START OF RACE MEETING</p> <p>In lieu of an administration checking session, an Official Entry List including class, race numbers, endorsement request and transponder numbers will be posted on the Official Notice Board the afternoon of 19/08/2022. It is the responsibility of the Competitor to ensure that all information on the Official Entry List is correct. Any inaccuracies or discrepancies are required to be notified to the Chief Timekeeper half an hour before qualifying commences on the 20/08/2022.</p> <p>Entry fees will be forfeited if the Competitor has not notified a Senior Race Official prior to above time of their withdrawal.</p>	
12.	TROPHIES & PRIZES	
12.1.	a)	Trophies will be awarded to 1 st , 2 nd and 3 rd place

5. CIRCUIT SPECIFIC REQUIREMENTS

1.	PADDOCK ALLOCATION
	Paddock allocation Will occur for the Meeting
2.	MEDICAL SERVICES
2.1.	Any Medical assistance that is required outside of the operating hours when Kart's are not on the Race Track please contact 000. The address to give to the Emergency Services is:
	Hurricane Go Kart Club
	99 Burma Road, WUNDOWIE WA 6560
3.	KART RETRIEVAL
3.1.	Pit Crew with trolleys will not be given access to the Circuit during Qualifying and Racing.
3.2.	Retrieval of Karts is at the discretion of the Clerk of the Course
3.3.	Pit Crew must only enter the Circuit when permitted by the Grid Marshal and then only if wearing a HIGH VISIBILITY SAFETY VEST on the upper torso.
3.4.	Karts can be retrieved via in and out grids at the discretion of the officials.
4.	ADDITIONAL VENUE REQUIREMENTS

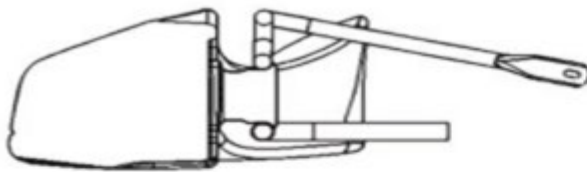
4.1.	Subject to any applicable laws which may govern the access of animals, including but not limited to guide dogs, no animals are allowed anywhere within the facility.
4.2.	No dumping of Fuel or Tyres, please make own arrangements.
4.3.	No unlicensed driving of motor vehicles permitted at the Circuit.
4.4.	No motorised scooters, mini bikes, roller blading, skateboards and tricycles allowed at the complex during the entire Meeting. Officials may confiscate any such items for the duration of the Meeting.
4.5.	Marquees are not to be erected without consent of the Club.
4.6.	Our Liquor Licence prohibits BYO Alcohol.
4.7.	All vehicles to be removed from the pits once trailers are parked.
4.8.	<p>Parent/Guardian's Not Attending Race Meeting with Minor</p> <p>General Rules, Chapter 1, Rule 5 d)</p> <p>If a Participant is unable to be present in person at the Competition, they must nominate a representative in writing who is the holder of a valid Participant's Licence or is a person over the age of 18 years who is the holder of a valid Driver's Licence. The person having charge of an entered kart during any part of a Meeting Competition is responsible jointly and severally with the Participant for the respect of all the provisions of the Rules, the ISC, the Technical Regulations, Championship Regulations, Series Regulations, Supplementary Regulations, Addendums and Bulletins pertaining to that Meeting.</p>
4.9.	Video Recording System required at this race meeting, as per State Regulations.
4.10.	<p>Front Faring (Drop Down Bumpers) will be in use for the TaG 125 Light class at this race meeting, as per State Regulations.</p> <p>The following conditions apply to the fitment of the Front Faring (Nose Cone)</p> <ol style="list-style-type: none"> The use of the CIK-FIA homologated front fairing mounting kit (the "Mounting Kit") of the bodywork homologation period 2015 – 2021 is mandatory. From the commencement of the first Heat until the conclusion of the Final, each Driver must enter the Out Grid area with the front fairing detached from their Kart. The Pit Crew member or the Driver themselves must mount the front fairing in the Out Grid area under the supervision of a Scrutineer or an appointed Official. <p>Front Faring correct installation</p> <ol style="list-style-type: none"> From the commencement of the first Heat onwards, the front fairing (using the Mounting Kit) must be in the correct position at all times during a Competition (see Appendix 1, Figure 8) It must not be modified or have been subjected to mechanical or chemical treatment (other than normal cleaning) in any way. If the Judge of Fact reports that the front fairing on one or more karts was no longer in the correct position when the "black and white chequered flag" was displayed and the Kart(s) concerned crossed the finish line, in all situations a penalty will be imposed automatically on the driver(s) concerned. This penalty is not susceptible to protest or appeal. Should a Driver be found/proved to have intentionally replaced or attempted to replace a front fairing which is not installed correctly during the Race or after the "black and white chequered flag" was displayed they will be Disqualified from the Meeting. <p>EXITING KART POST RACE</p> <p>ALL Drivers <u>MUST REMAIN SEATED</u> in their Kart upon entering the In Grid at the completion of a race until direction to exit their Kart is given by an Official.</p> <p>Any Driver who leaves their Kart before the instruction to exit their kart is given may receive a penalty. Recommended Minimum Penalty – two (2) places.</p>

4.11.	Start Procedure Competition Rule – Chapter 1 Rule 22d (xxi) Any additional formation laps may be deducted from that classes scheduled race distance at the discretion of the Clerk of Course, race director or stewards of the meeting
4.12.	ALL trophy winners must wear race suits on the podium to accept awards.

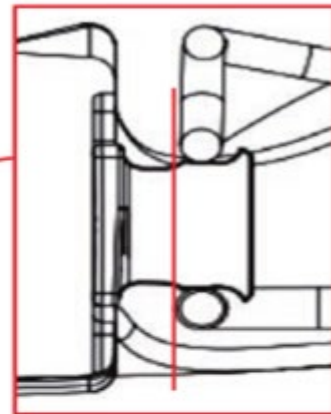
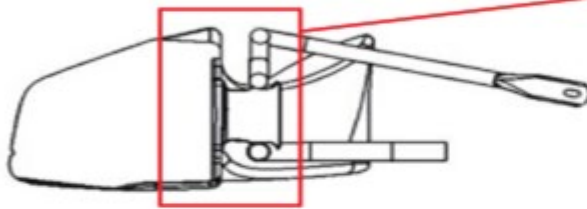
Appendix 1 - Front Fairing Installation

Your attention is drawn to the correct positioning of the Front Fairing.

Correct Installation of the "Front Fairing"
Correct Position

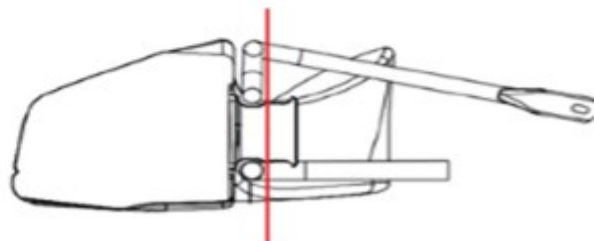
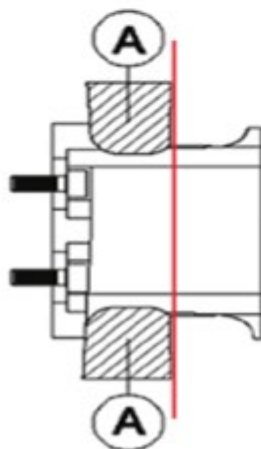


Acceptable Position



Not acceptable position

If any part of the tubes of the front bumper are in the areas marked "A".





Your place to race!

Hurricane Go Kart Club

PIT ALLOCATION FORM 2022

Please be aware this form **MUST** BE completed and returned before **5pm Monday August 15th, 2022** if you require an allocated pit space.

Competitor Name:

Contact Person and Number:

Trailer Width: Trailer Length:

Dimensions of Pit Shelter:

Competitors you are pitting with:

PLEASE NOTE:

1. Should you wish to pit with other competitors please advise us ahead of time. Whilst every effort will be made to accommodate such requests, this may not always be possible.
2. Camping is available at the track, however there is no power, so please bring your own generators.
3. Please ensure vehicles are not kept in the pit area after unloading has occurred.
- 4. PLEASE ENSURE THIS COMPLETED FORM IS EMAILED TO hgkcpitbays@gmail.com by 5pm Monday 15th August, 2022.**